

Yoyang Inc. reserves the right to change the product described in this datasheet. All information contained in this datasheet is subject to change without prior notice. Yoyang Inc. assumes no responsibility for the use of any circuits shown in this datasheet.

ISM band ASK / OOK receiver Module

The RMO-010U ISM band data receiver is an ideal design module used for Car Security System, Home Security System, and Remote controller, etc.

Main Function

- Complete with L/C Filter design
- Frequency Band: 315/434MHz
- Any 2 Lever formats
- Data rate from 300bps to 4Kbps.
- High sensitivity up to -100 dbm
- Low power consume
- Wide operate temperature from -20°C -- +70°C
- Small size
- Low cost



Module size 44 X12 X 7mm

Specification

Description	Part No: RMF-600U
Frequency stability	30ppm at 25°C
Operation frequency	315MHz, 434MHz.
Data Rate	300bps to 4Kbps.
Modulation	ASK and OOK
Channel spacing	200Khz.
Sensitivity	-100dBm at 434MHz/1200bps
Working Voltage	DC 5V ± 10%
Power consumption	4mA
Working temperature range	-20 to +70°C
Module Size	44mm X 12mm X 7mm.
Weight	3 grams.

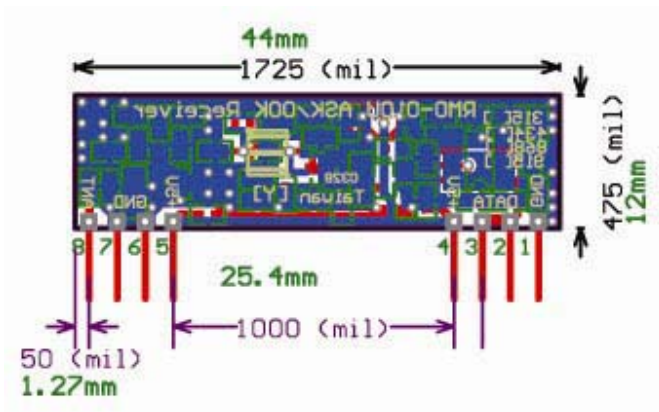


Pin Description

Pin Number	Name	Description
1	GND	Ground
2	Date	Received data output
3	Data	Same with Pin#2
4	VCC	Power supply DC + 5V
5	VCC	Same with Pin #4
6	GND	Ground
7	GND	Ground
8	ANT	Antenna Input

Pin Lead size: 2.54mm 8 pin single

PCB Size and Pin Assignment



Application note for the wire length of antenna

315MHz	433.92MHz
$\lambda = 95\text{CM}$	$\lambda = 70\text{CM}$
$\frac{1}{2}\lambda = 47.5\text{CM}$	$\frac{1}{2}\lambda = 47.5\text{CM}$
$\frac{1}{4}\lambda = 23\text{CM}$	$\frac{1}{4}\lambda = 17.5\text{CM}$
$\frac{1}{2} \cdot \frac{1}{4}\lambda = 12\text{CM}$	$\frac{1}{2} \cdot \frac{1}{4}\lambda = 8.75\text{CM}$